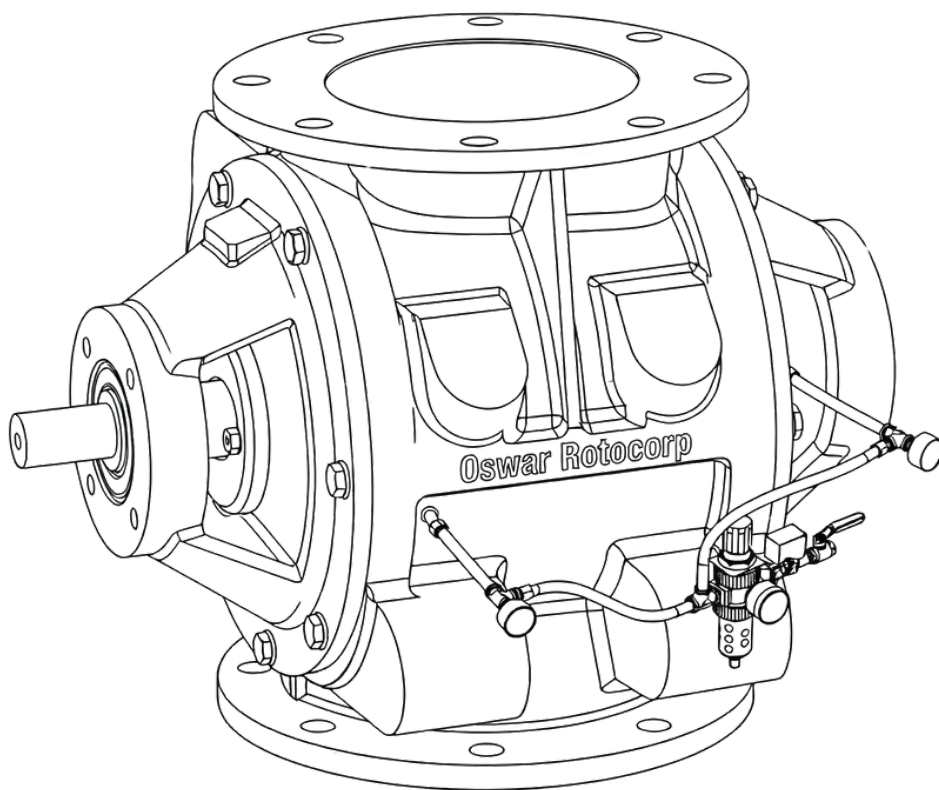



RUBBER INDUSTRY

COMPOUNDING & PROCESSING SYSTEMS



OSWAR
rotocorp

A large industrial rubber processing plant is shown at sunset. The sky is a mix of orange, red, and dark blue. In the foreground, there are large piles of raw rubber latex sheets. The plant itself has several tall chimneys, some of which are emitting white smoke. The structure is complex with many levels, walkways, and conveyor belts. The overall scene is industrial and active.

Oswar Rotocorp provides engineered flow control solutions designed for bulk material handling in rubber processing plants. Our equipment integrates into storage silos, batch weighing systems, internal mixers, and pneumatic conveying lines while ensuring stable material discharge and efficient airlock performance.

Each solution is developed to support high-load operations and maintain process consistency in demanding production environments.

KEY PROCESS AREAS

CARBON BLACK &
FILLER HANDLING

RUBBER CRUMB &
POLYMER
FEEDING

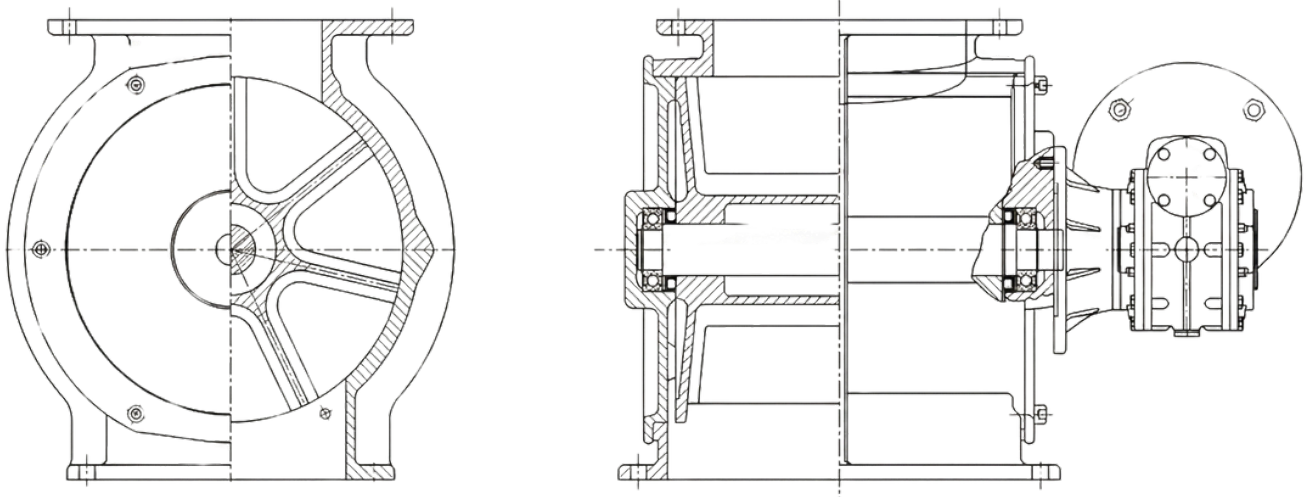
ADDITIVE &
CHEMICAL
DOSING

DUST CONTROL
SYSTEMS

BUILT FOR DURABILITY IN COMPOUNDING ENVIRONMENTS

Rubber compounding materials such as carbon black and silica can be abrasive and fine in nature. Equipment must withstand wear while maintaining consistent volumetric feeding and minimal leakage.

Rotary Valves are engineered with heavy-duty housings and optimized rotor configurations to ensure uniform discharge and airlock efficiency in pneumatic conveying systems. Reinforced components enhance resistance to wear and continuous operational stress.



SOLUTION PORTFOLIO INCLUDES:

- Heavy-Duty Rotary Valves for Carbon Black Handling
- Pneumatic Conveying Rotary Valves
- Precision Feeding Rotary Valves
- Slide Gate Valves for Silo Isolation
- Diverter Valves for Multi-Line Routing
- Flap / Gravity Gates for Dust Applications

SUPPORTING CONSISTENT RUBBER COMPOUND QUALITY

- **Uniform & Controlled Material Feeding**
- **Reduced Air Leakage in Conveying Systems**
- **Enhanced Wear Resistance**
- **Stable Operation Under Continuous Load**
- **Lower Maintenance Frequency**
- **Extended Equipment Service Life**



OSWAR

rotocorp

Corporate Office

Jaipur, Rajasthan India
Nagpur, Maharashtra India

Sales Inquiries

info@oswarrotocorp.com

Helpline

[+44 7917 128505](tel:+447917128505) | +91 77422 36474

Copyright © 2026 OSWAR ROTOCORP. All Rights Reserved. OSWAR® is a registered trademark of **OSWAR ROTOCORP**. This brochure makes no offers, representations or warranties (express or implied), and information and data contained in this brochure are for general reference only and may change at any time.